

## Genesis G2LB Lockbolt Tool

Hydropneumatic · Lightweight

The Avdel Genesis G2LB (71255 model) is a lightweight tool to place Avdel® lockbolt fasteners at high speed making it ideal for batch or flow-line assembly in a wide variety of applications throughout all industries.

### Features

- Ergonomic and lightweight design reduces operator fatigue
- Reduced setting time and high speed placement increases productivity
- Integral cycle counter helps establish accurate service intervals
- Toughened plastic body and heavy duty rubber base resists cracking when accidentally dropped
- Can be suspended

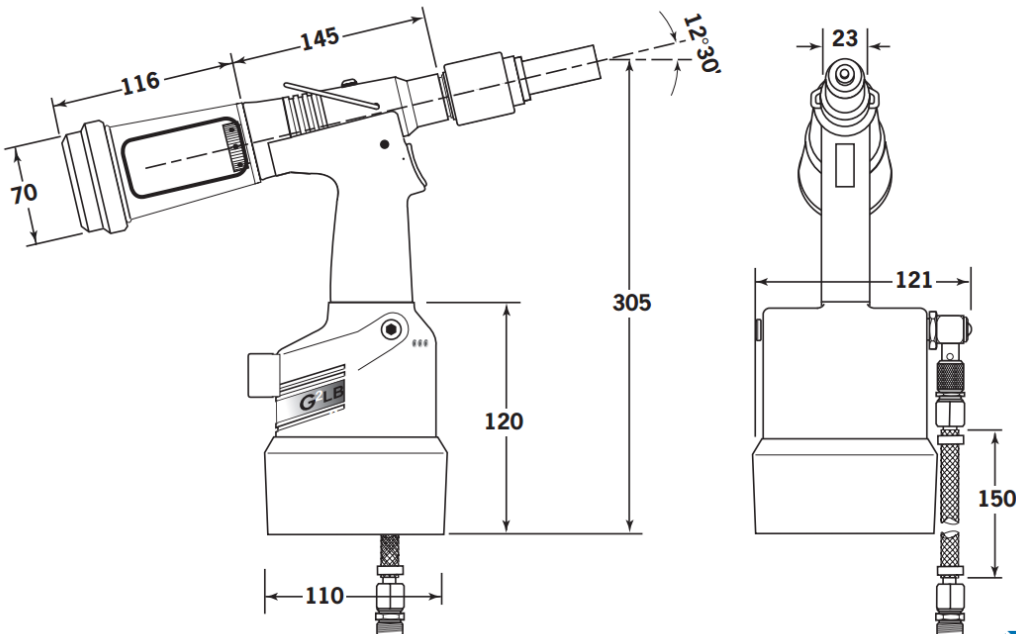
### Technical Data

<b>Weight</b>	: 2.4 kg (including nose equipment)
<b>Pull Force</b>	: 12,470 N at 5.5 bar
<b>Stroke</b>	: 13 mm (min.)
<b>Cycle Time</b>	: 1.0 sec (approx.)
<b>Air Supply Pressure</b>	: 5 - 7 bar
<b>Free Air Volume</b>	: 2.1 litres at 5.5 bar
<b>Noise Level</b>	: 75 dB
<b>Vibration</b>	: < 2.5 m/s <sup>2</sup>

### Placing Capability

Avdelok® lockbolts 4.8 mm and 6.4 mm (3/16" and 1/4") and Maxlok® lockbolts 4.8 mm (3/16")

For accessories options, contact  
Gripwell Sales for assistance



We are proud to be Avdel's authorized distributor of over 30 years